



Cam lift full mortise hinges

Cam lift full mortise hinges

Mortise-type cam hinges for use with sound-insulating doors utilizing acoustical seals. The cam action greatly improves the sealing characteristics along the door perimeter, lifting and lowering the door with the swing.

Available for right or left-hand swinging doors. Cam lift hinges will not bind door closures when doors are hung within accepted industry standards. (Tested with LCN 4041 Series original).

Finish: STST630 (US32D).

Part #	Door rating (1 1/2 pairs)	Screw size (metal doors)	Lift (180° opening)
Z955	Up to 200 lbs.	12-24 x 3/4" UC	3/16"
Z953	Up to 300 lbs.	12-24 x 3/4"	1/4"
Z950	Up to 500 lbs.	12-24 x 3/4"	5/16"
Z9500	Up to 900 lbs.	5/16-18 x 3/4"	5/16"



Z950ST
12-24 x 3/4"



Z955ST
12-24 x 3/4" UC



Z952ST
5/16-18 x 3/4"

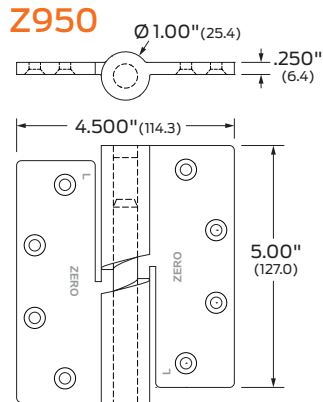


Z951ST
12 x 1 1/4" SMS

Hinge:	Stainless Steel US304
Pin:	Stainless Steel 420 J2
Type:	Mortise/ Handed - specify right or left hand
Clearance:	Minimum clearance at head of frame is 3/16". For doors greater than 1-3/4" clearance is 1/4"
Finish:	630 (US32D)
Note:	For Z950 and Z9500 screws must be engaged no less than .350" in ASTM A-36 steel reinforcement



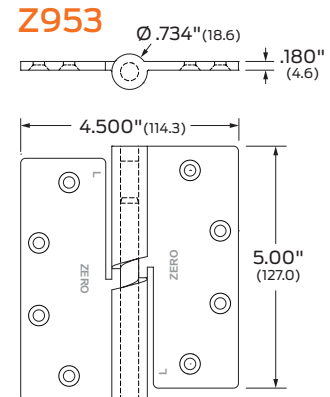
Z950 L



Finishes: STST
Options: L- Left Hand
R- Right Hand



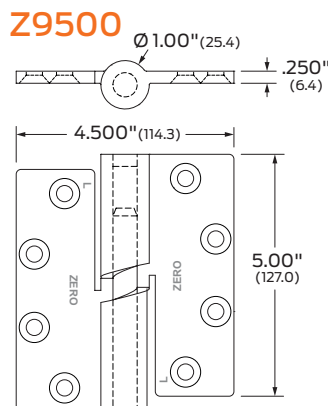
Z953 L



Finishes: STST
Options: L- Left Hand
R- Right Hand



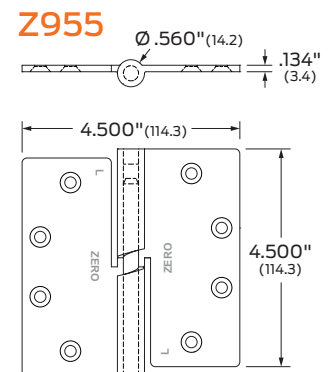
Z9500 L



Finishes: STST
Options: L- Left Hand
R- Right Hand



Z955 L



Finishes: STST
Options: L- Left Hand
R- Right Hand